

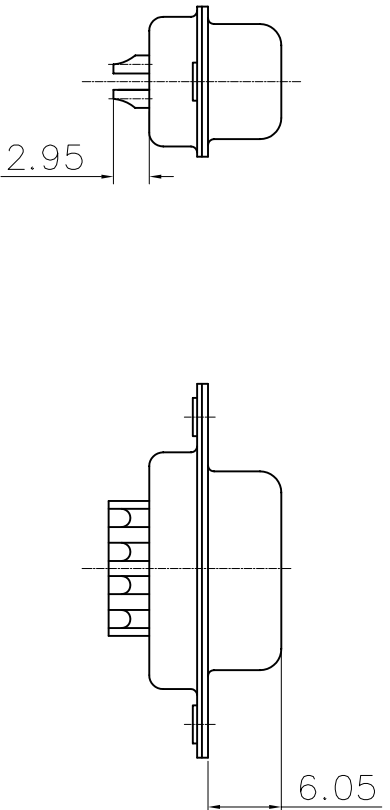
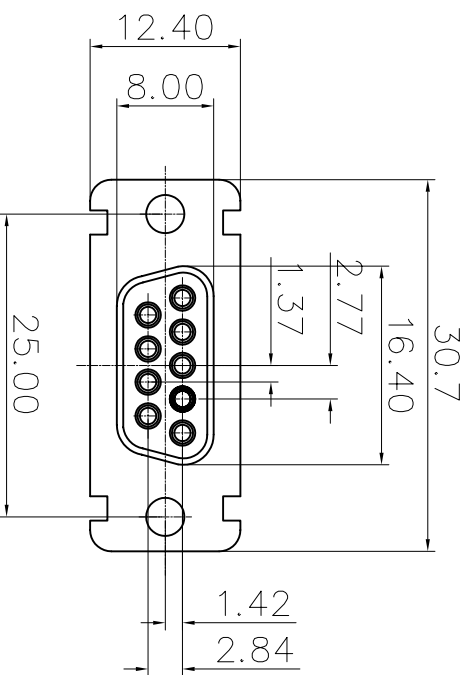
[G17S1500110EU](#)
[L717SDB25P](#)
[LD09P33E4GV00LF](#)
[G17S0900110EU](#)
[L717SDE09P](#)
[G17S1510110EU](#)
[MDBE09PE860](#)
[L77DE09S](#)
[D09P33E4GV00LF](#)
[DAP15P065TXLF](#)
[17EBH-015-S-AM-0-10](#)
[17EHD-044-P-AA-0-00](#)
[17EHD-026-P-AA-0-00](#)
[D25S24A4GV00LF](#)
[D09S24A4GV00LF](#)
[D09P24A4GV00LF](#)
[D15S24A4GV00LF](#)
[D09P33E4GV00LF](#)
[10090929-S154VLF](#)
[ICD15S13E6GV00LF](#)
[17EHD-015-P-AA-0-00](#)
[DA15P064TXLF](#)
[DE09P064TXLF](#)
[DE09S064TLF](#)
[L77SDE09S](#)
[10090769-P154ALF](#)

This document is the property of Amphenol Corporation and is loaned to the recipient for use in connection with the manufacture of products of Amphenol Corporation. It is not to be reproduced, stored in a retrieval system, or transmitted in any form or by any means, electronic, mechanical, photocopying, recording, or by any information storage or retrieval system, without the prior written permission of Amphenol Corporation. All rights are reserved. For more information, see the document.

REVISONS		DATE	APPROVED
SM	EON		
A		07/02/07	

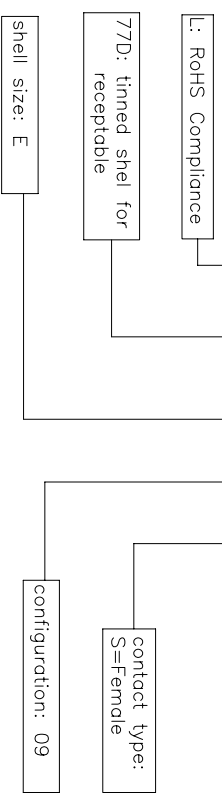
D-SUB TECHNICAL DATA

SHELL : Steel 2.5um (100u") min tin over 1.25um (50u") min nickel
 BODY : Glass filled thermoplastic.
 Flame retardant to UL94 V-0 Color Black
 CONTACTS : brass.
 0.1um(4u") min gold over 1.25um (50u") min nickel
 ELECTRICAL : Voltage rating : 300 V RMS at 50 Hz
 withstanding voltage : 1000V RMS at 50Hz
 Current rating: 7.5A.
 Insulation resistance >5000 M Ohms
 Contact resistance 20 mOhms max.
 CLIMATIC : Temperature range -55 °C up to 85°C , peak at 125°C
 MARKING : Amphenol---(Series No.)
 Commercial reference
 Manufacturing date



PRODUCT CODE

L77DE09S



UNLESS OTHERWISE SPECIFIED		APPROVAL		DATE
TOLERANCES		DRAWN	Iss: jmg	07/02/07
U.S.	METRIC	CHECKED	tk: wang	07/02/07
X	±0.50			
XX	±0.30			
XXX	±0.20			
FRACTIONS	±1/16			
ANGLES	±1/2°			
FOR MATERIALS AND FINISHES SEE NOTES				
REMOVE SHARP EDGES				
DRAIVING FILE :				
ANGLE OF PROJECTION				
DIMENSIONS				
U.S.	DIMENSIONS			
MM	DIMENSIONS			
TITLE				
Stamped and Formed connector, SD series				
SIZE	DRAWING NO.			REV.
A4	C L77DE09S			A
SCALE	NONE			SHEET 1 OF 1